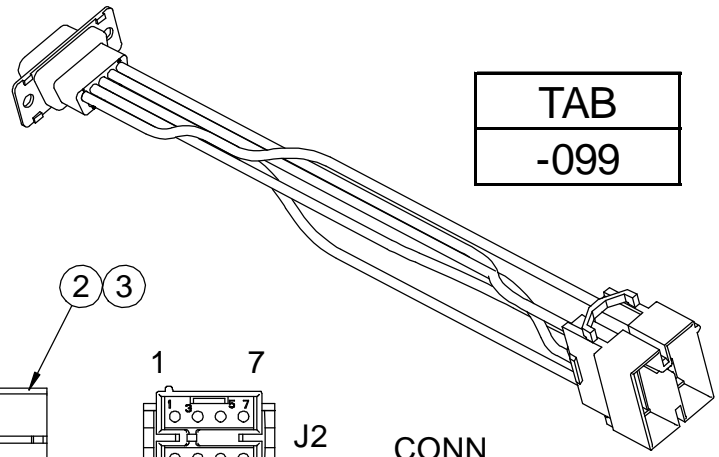
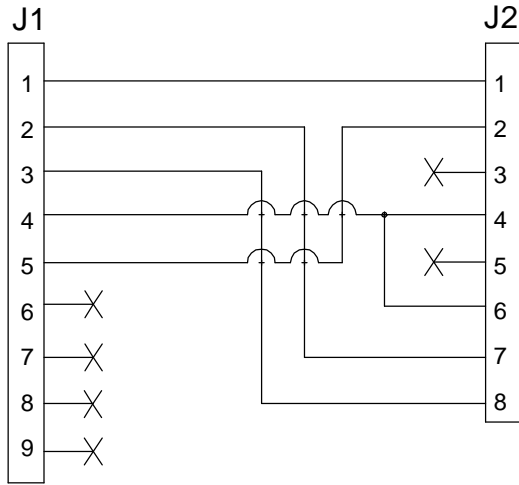
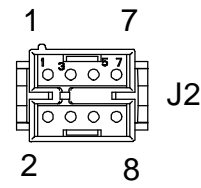


ZONE		REV	REVISION DESCRIPTION	DATE	APPROVED
		A	INITIAL RELEASE	8/21/2008	



TAB
-099



CONN SIDE SHOWN

ITEM NO.	QTY.	PART NO.	DESCRIPTION
1	1	205203-1	D-SUB CONNECTOR, 9-PIN, FEMALE (AMP)
2	1	1-480284-0	CONNECTOR, 8 PIN, MATE-N-LOK (AMP)
3	6	60617-1	CONTACTS, CRIMP/SOLDER (AMP)
4	A/R		HOOKUP WIRE, COPPER, STRANDED, 22 AWG, ANY COLOR

CONN SIDE SHOWN

6.000

NOTES: UNLESS OTHERWISE SPECIFIED

2. ALL JUMPER WIRES TO BE HOOKUP WIRE, COPPER, STRANDED, 22 AWG ANY COLOR.

1. SOLDER ALL CONNECTION PER IPC-610A CLASS 2.

USED ON	NEXT ASSY	REF DWGS	APPLICATIONS

DRAWN	DATE
R. MILLER	8/21/08
CHECKED	
DOC CONTROL	
ENGINEERING	
MANUFACTURING	

UNLESS OTHERWISE SPECIFIED:
 -DIMENSIONS ARE IN INCHES
 -REMOVE ALL BURRS & BREAK SHARP EDGES
 -TOLERANCE ON:
 DECIMALS: X ±.02 FRACTIONS: ± 1/64 ANGLES: ± 1°
 XX ±.01 XXX ±.005

MATERIAL:
 AS SHOWN

FINISH:
 N/A

CO GUARDIAN LLC 1951 E. AIRPORT DR. TUCSON, AZ 85706		
TITLE		
WIRE HARNESS, 9 PIN TO 8 PIN		
SIZE	DRAWING NUMBER	REV
B	452-201	A
SCALE	CAD FILE	SHEET 1 OF 1
NONE	314A	1