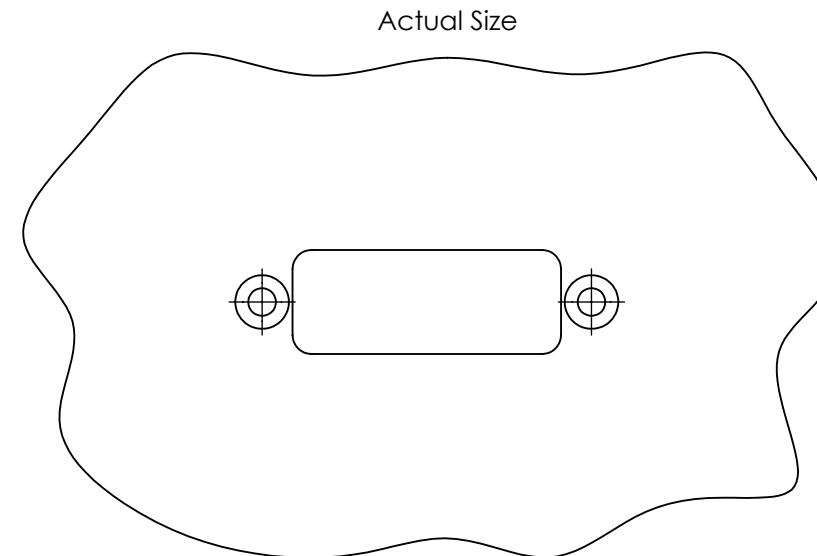
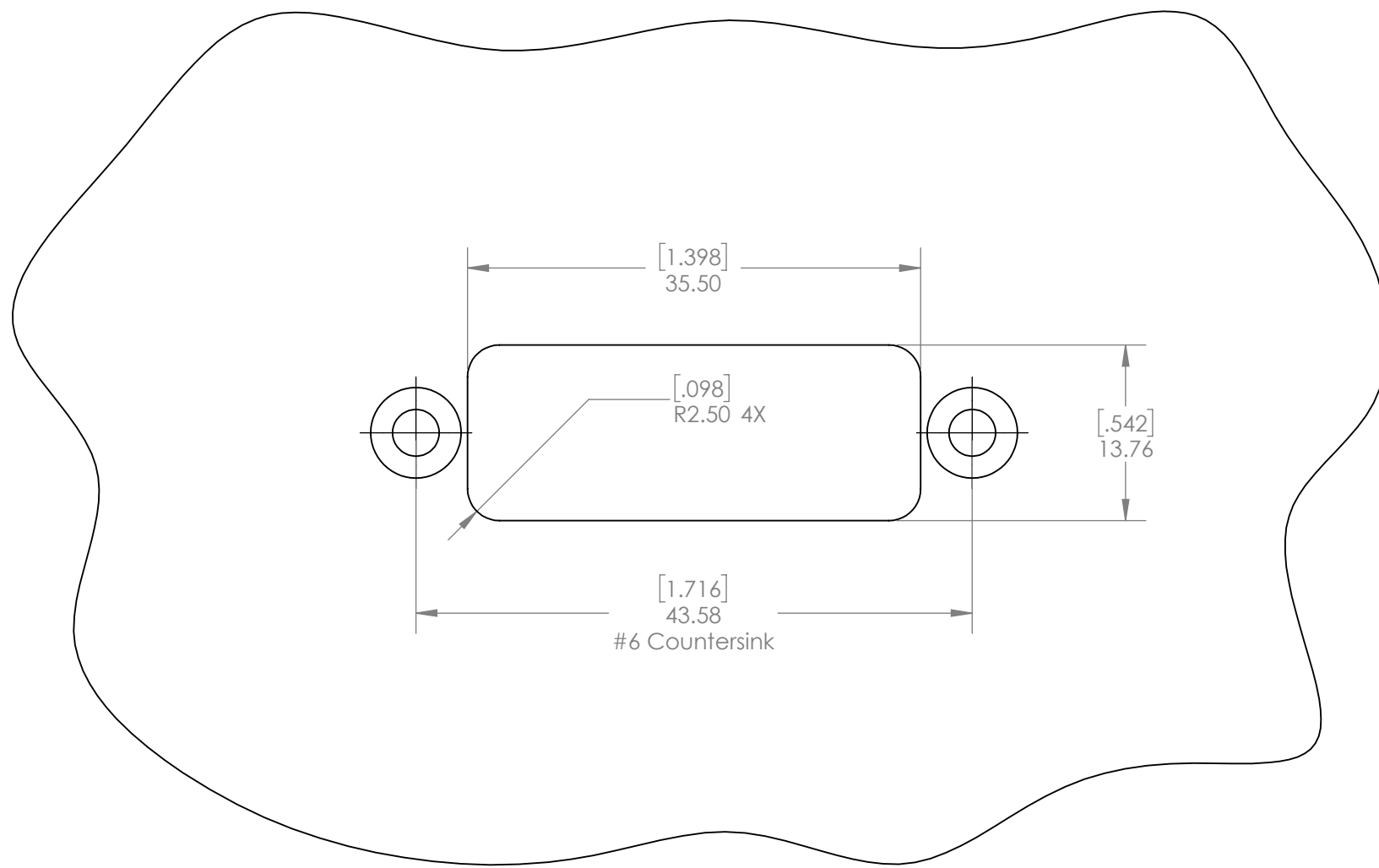


REV.	DESCRIPTION	DATE
A	Initial release	3/6/2018



© COPYRIGHT GUARDIAN AVIONICS  
 THE INFORMATION IN THIS DRAWING IS CONFIDENTIAL  
 AND IS THE INTELLECTUAL PROPERTY OF GUARDIAN  
 AVIONICS. REPRODUCTION IN WHOLE OR IN PART  
 WITHOUT WRITTEN PERMISSION OF GUARDIAN  
 AVIONICS IS PROHIBITED.

**DO NOT SCALE DRAWING**  
 TOLERANCES UNLESS  
 OTHERWISE SPECIFIED:  
 METRIC IMPERIAL ANGLES  
 X ± 1.00mm .X ± .05"  
 .X ± .3mm .XX ± .01"  
 .XX ± .1mm .XXX ± .005" ± 1°

PROJECT: Remote USB A-and-C  
 SCALE: 2:1  
 DWG # Use Name

DRAWING NAME: (Remote USB A-and-C) Reference Panel  
 REVISION A  
 PRINT DATE 3/6/2018  
 SHEET: 1 of 1