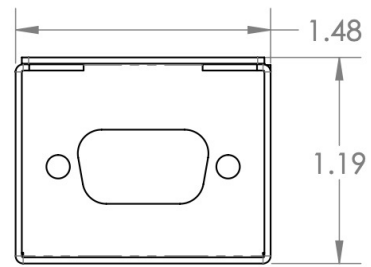
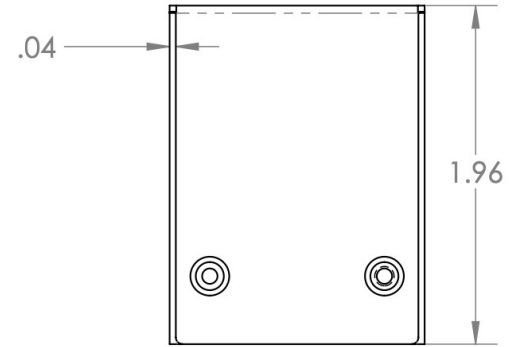
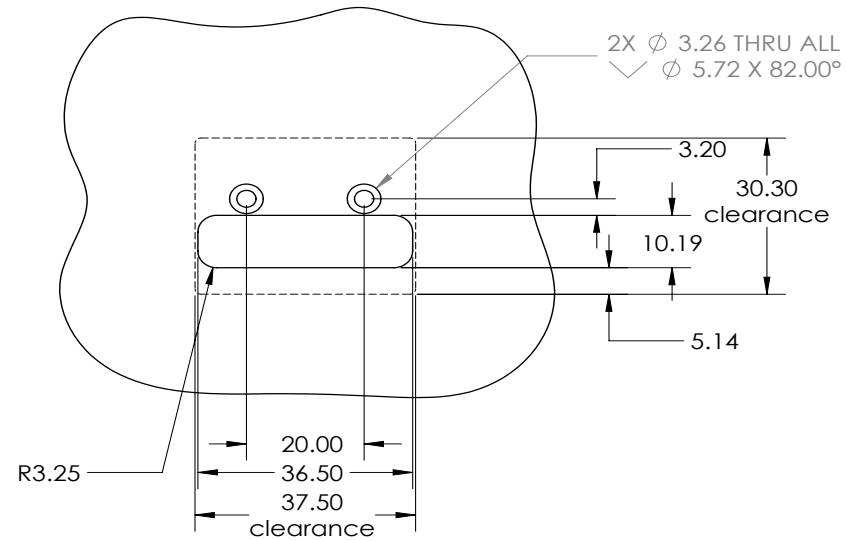
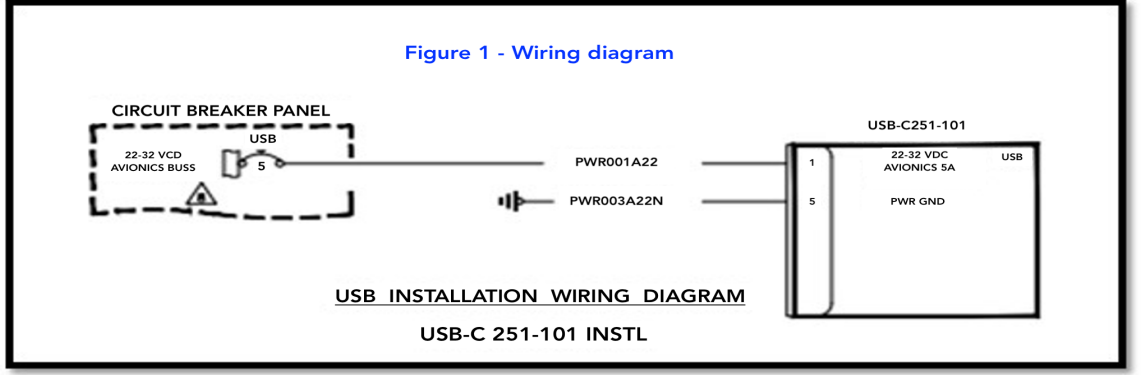
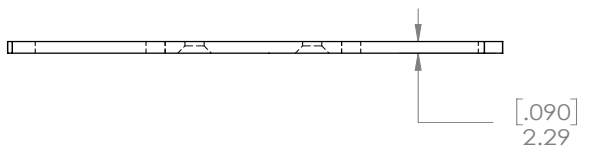


REV.	DESCRIPTION	DATE
A	Released for prototype testing	3/22/2019



© COPYRIGHT GUARDIAN AVIONICS  
THE INFORMATION IN THIS DRAWING IS CONFIDENTIAL AND IS THE INTELLECTUAL PROPERTY OF GUARDIAN AVIONICS. REPRODUCTION IN WHOLE OR IN PART WITHOUT WRITTEN PERMISSION OF GUARDIAN AVIONICS IS PROHIBITED.

**DO NOT SCALE DRAWING**  
TOLERANCES UNLESS OTHERWISE SPECIFIED:  
METRIC IMPERIAL ANGLES  
X ± 1.00mm X ± .05" ± 1°  
X ± .3mm XX ± .01"  
.XX ± .1mm .XXX ± .005"

PROJECT: **USB-C 251**  
SCALE: 1:1  
DWG # Use Name

DRAWING NAME: **[USB-C 251] Panel Reference**  
REVISION: **A**  
PRINT DATE: **3/22/2019**  
SHEET: **1 of 1**